

Pilot-Operated Triad Isolation Valve

Externally vented, pilot-operated, three channel isolation valve, high pressure

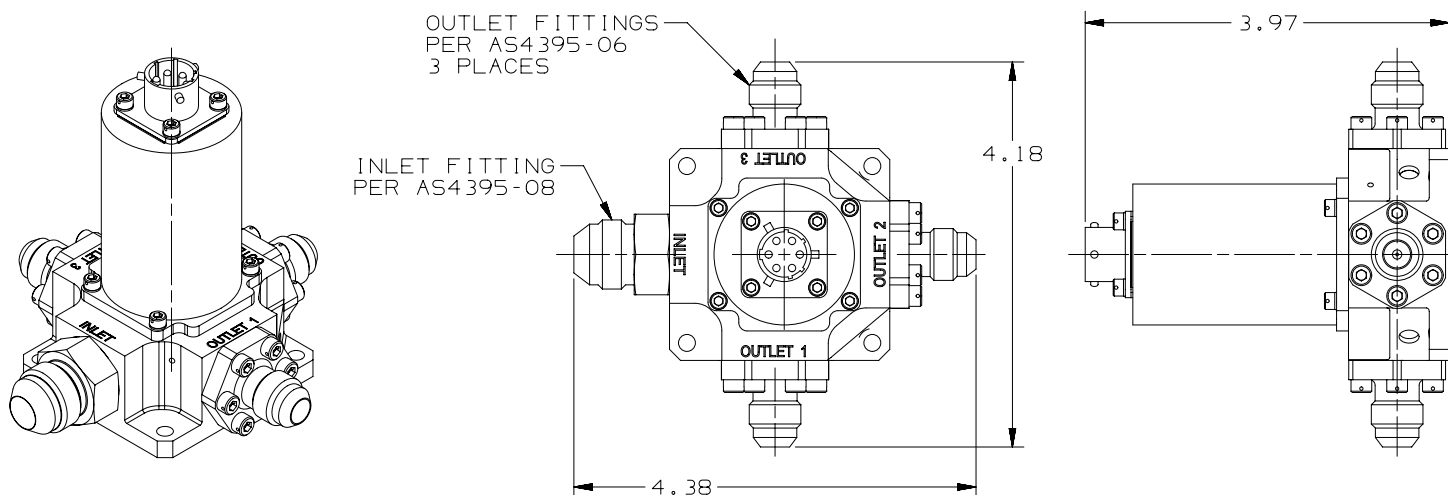
Key Features

- High pressure – 4500 psi MEOP
- Flow orifice – $CdA = 0.0074 \text{ in}^2$
- Single inlet, three outlet fittings
- Weight – 2.2 lbm

Pilot-Operated Triad Isolation Valve

Performance Characteristics

Characteristic	Performance / Interfaces
Unit weight	2.2 lbm max. (2.0 lbm baseline)
Dimensions	4.0 x 4.5 x 4.5 inch
Operating Voltage	24-32 VDC
Current Draw	<0.6 Amp pull-in; 0.3 Amp hold
Leakage - Internal	10 scc/min each stage at MEOP@70°F; 1x10-3 sccs @ -290°F
Leakage - external	30 scc/min at MEOP (pilot vent not included)
Response - open	9 msec
Response - close	9 msec
Operating temperature	-65°F to +140°F
Cycle life	1000 cycles



MOOG
SPACE AND DEFENSE GROUP

For More Information:

Chet Crone +1 (818) 576-6823 ccrone@moog.com

Equipment described herein falls under the jurisdiction of the ITAR and requires US Government Authorization for export purposes. Diversion contrary to US law is prohibited.

© 2016 Moog, Inc. All rights reserved.

Form 500 -1102 0416