

AG-15275 SERIES SPECIFICATIONS

MOTOR CHARACTERISTICS @ 25° C

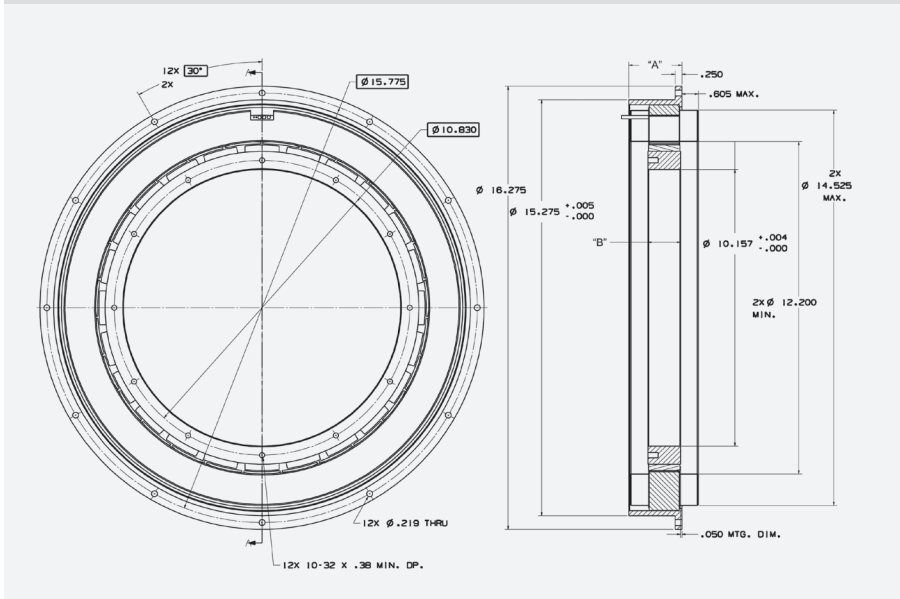
Specification	Units	AG-15275 A-1ES	AG-15275 B-1ES	AG-15275 C-1ES	AG-15275 D-1ES	AG-15275 E-1ES	AG-15275 F-1ES	AG-15275 G-1ES	AG-15275 H-1ES
Continuous Rated Power	w	1631	3594	5653	7392	9401	11141	12707	15042
Rated Speed Power	rpm	220	220	220	220	220	220	220	220
Voltage	V rms	248	307	293	289	260	298	263	285
Current	Amps rms	3.8	6.75	11.2	14.7	20.9	21.6	27.8	30.5
Efficiency	%	82	87	82	84	85	85	86	86
Input Torque at Rated Speed	lb.ft (n.m)	65.7 (89.09)	135.0 (183.06)	207.0 (280.96)	269.0 (364.76)	340.0 (461.04)	402.0 (545.11)	458.0 (621.05)	539.0 (730.88)
Weight	lb (Kg)	38.0 (17.24)	65.0 (29.48)	92.0 (41.73)	120.0 (54.43)	150.0 (68.04)	175.0 (79.38)	200.0 (90.72)	230.0 (104.34)
OD*	inches (mm)	15.275 (387.99)	15.275 (387.99)	15.275 (387.99)	15.275 (387.99)	15.275 (387.99)	15.275 (387.99)	15.275 (387.99)	15.275 (387.99)
ID	inches (mm)	10.157 (257.99)	10.157 (257.99)	10.157 (257.99)	10.157 (257.99)	10.157 (257.99)	10.157 (257.99)	10.157 (257.99)	10.157 (257.99)

MOTOR CHARACTERISTICS @ 25° C

Specification	Units	AG-15275 A-2ES	AG-15275 B-2ES	AG-15275 C-2ES	AG-15275 D-2ES	AG-15275 E-2ES	AG-15275 F-2ES	AG-15275 G-2ES	AG-15275 H-2ES
Continuous Rated Power	w	6892	14706	21282	29237	32922	32960	31121	36526
Rated Speed Power	rpm	800	800	800	800	700	600	500	500
Voltage	V rms	267	322	289	291	283	288	281	280
Current	Amps rms	15.1	26.5	4.3	58.0	65.8	66	63.2	75.2
Efficiency	%	90	90	90	90	91	90	90	90
Input Torque at Rated Speed	lb.ft (n.m)	67.4 (91.99)	141.0 (191.20)	205.0 (277.98)	283.0 (383.75)	363.0 (492.23)	423.0 (573.59)	479.0 (649.52)	562.0 (762.07)
Weight	lb (Kg)	38.0 (17.24)	65.0 (29.48)	92.0 (41.73)	120.0 (54.43)	150.0 (68.04)	175.0 (79.38)	200.0 (90.72)	230.0 (104.34)
OD*	inches (mm)	15.275 (387.99)	15.275 (387.99)	15.275 (387.99)	15.275 (387.99)	15.275 (387.99)	15.275 (387.99)	15.275 (387.99)	15.275 (387.99)
ID	inches (mm)	10.157 (257.99)	10.157 (257.99)	10.157 (257.99)	10.157 (257.99)	10.157 (257.99)	10.157 (257.99)	10.157 (257.99)	10.157 (257.99)

AG-15275 SERIES SPECIFICATIONS

MECHANICAL DIMENSIONS (INCHES)



MOUNTING DIMENSIONS

Modular	"A" Inches	"B" Inches
AG-15275-A-1ES	1.95 (49.53)	1.2 (30.48)
AG-15275-A-2ES	1.95 (49.53)	1.2 (30.48)
AG-15275-B-1ES	3.05 (77.47)	2.3 (58.42)
AG-15275-B-2ES	3.05 (77.47)	2.3 (58.42)
AG-15275-C-1ES	4.15 (105.41)	3.45 (87.63)
AG-15275-C-2ES	4.15 (105.41)	3.45 (87.63)
AG-15275-D-1ES	5.25 (133.35)	4.575 (119.21)
AG-15275-D-2ES	5.25 (133.35)	4.575 (119.21)
AG-15275-E-1ES	6.35 (161.29)	5.7 (144.78)
AG-15275-E-2ES	6.35 (161.29)	5.7 (144.78)
AG-15275-F-1ES	7.45 (189.23)	6.825 (173.36)
AG-15275-F-2ES	7.45 (189.23)	6.825 (173.36)
AG-15275-G-1ES	8.55 (217.17)	7.95 (201.93)
AG-15275-G-2ES	8.55 (217.17)	7.95 (201.93)
AG-15275-H-1ES	9.65 (245.11)	9.075 (230.51)
AG-15275-H-2ES	9.65 (245.11)	9.075 (230.51)