

AG-5250 SERIES SPECIFICATIONS

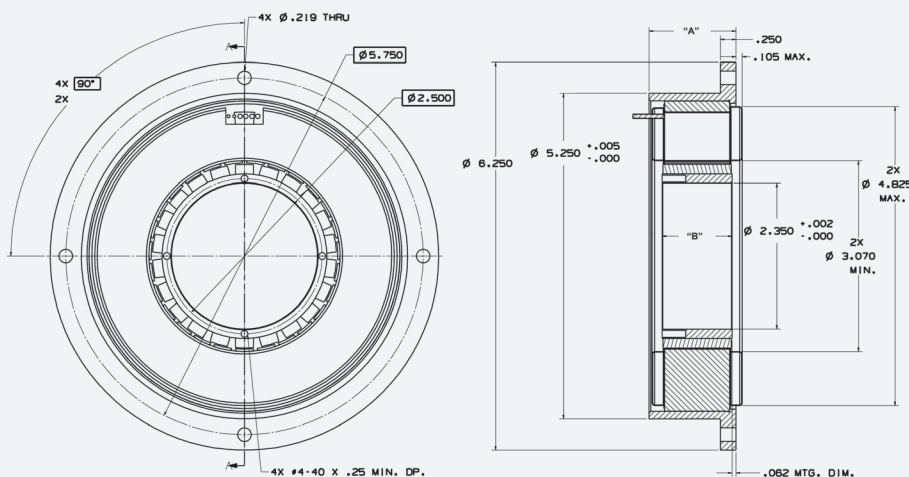
MOTOR CHARACTERISTICS @ 25° C

Specification	Units	AG-5250 A-1ES	AG-5250 B-1ES	AG-5250 C-1ES	AG-5250 D-1ES	AG-5250 E-1ES	AG-5250 F-1ES
Continuous Rated Power	w	345	529	717	903	1031	1400
Rated Speed Power	rpm	650	650	650	650	650	650
Voltage at Rated Power	V rms	237	242	244	247	247	250
Current at Rated Power	Amps rms	0.84	1.26	1.74	2.11	2.42	3.23
Efficiency at Rated Power	%	78	80	82	84	85	86
Input Torque at Rated Speed	lb.ft (n.m)	5.06 (6.86)	7.39 (10.02)	9.76 (13.24)	12.10 (16.41)	13.80 (18.71)	18.40 (24.95)
Weight	lb (Kg)	5.2 (2.36)	7.2 (3.27)	9.1 (4.13)	10.9 (4.94)	12.7 (5.76)	16.5 (7.48)
OD*	inches (mm)	5.250 (133.35)	5.250 (133.35)	5.250 (133.35)	5.250 (133.35)	5.250 (133.35)	5.250 (133.35)
ID	inches (mm)	2.35 (59.69)	2.35 (59.69)	2.35 (59.69)	2.35 (59.69)	2.35 (59.69)	2.35 (59.69)

MOTOR CHARACTERISTICS @ 25° C

Specification	Units	AG-5250 A-2ES	AG-5250 B-2ES	AG-5250 C-2ES	AG-5250 D-2ES	AG-5250 E-2ES	AG-5250 F-2ES
Continuous Rated Power	w	1000	1411	1895	2343	2708	3590
Rated Speed Power	rpm	1500	1500	1500	1500	1500	1500
Voltage	V rms	260	260	238	260	263	259
Current	Amps rms	2.24	3.13	4.29	5.20	5.94	8.01
Efficiency	%	90	90	90	91	90	91
Input Torque at Rated Speed	lb.ft (n.m)	5.44 (7.38)	7.55 (10.204)	10.10 (13.70)	12.40 (16.81)	14.30 (19.39)	18.90 (25.63)
Weight	lb (Kg)	5.2 (2.36)	7.2 (3.247)	9.1 (4.13)	10.9 (4.94)	12.8 (5.80)	16.6 (7.53)
OD*	inches (mm)	5.250 (133.35)	5.250 (133.35)	5.250 (133.35)	5.250 (133.35)	5.250 (133.35)	5.250 (133.35)
ID	inches (mm)	2.35 (59.69)	2.35 (59.69)	2.35 (59.69)	2.35 (59.69)	2.35 (59.69)	2.35 (59.69)

MECHANICAL DIMENSIONS (INCHES)



LENGTH DIMENSIONS

Modular	"A" inches (mm)	"B" inches (mm)
AG-5250-A-1ES	1.4 (35.56)	1.125 (28.575)
AG-5250-A-2ES	1.4 (35.56)	1.125 (28.575)
AG-5250-B-1ES	1.9 (48.26)	1.625 (41.275)
AG-5250-B-2ES	1.9 (48.26)	1.625 (41.275)
AG-5250-C-1ES	2.4 (60.96)	2.125 (53.975)
AG-5250-C-2ES	2.4 (60.96)	2.125 (53.975)
AG-5250-D-1ES	2.9 (73.66)	2.725 (69.215)
AG-5250-D-2ES	2.9 (73.66)	2.725 (69.215)
AG-5250-E-1ES	3.4 (86.36)	3.225 (81.915)
AG-5250-E-2ES	3.4 (86.36)	3.225 (81.915)
AG-5250-F-1ES	4.4 (111.76)	4.225 (107.315)
AG-5250-F-2ES	4.4 (111.76)	4.225 (107.315)