

FLOW PACK SLIP RING (F 7270)

Compact, long life and low emission power transmission for packaging applications



Moog's F 7270 Flow Pack slip ring was specially developed for sealing films and is specifically designed to meet the requirements of flow pack applications in the food and pharmaceutical industries. It combines the advantages of a durable carbon solution in an extremely compact housing.

To ensure the required heating power in rotating applications, the Moog Flow Pack slip ring offers reliable transmission of power and electrical signals, such as PT100 signals. The innovative design minimizes wear and maximizes service life, resulting in higher machine availability and lower maintenance costs.

In addition to unsurpassed performance and reliability, the Moog Flow Pack slip ring is characterized by removable carbon brushes. These removable carbon brushes can be replaced in minutes, minimizing critical downtime and operating costs and reducing environmental impact through less waste.

Features

- IP64 protection class
- Replaceable carbon brushes
- Operating temperature: -10 to 60°C (14 to 140°F)
- Max. speed: 500 rpm (higher rpm speeds available upon request)
- Air and creepage distances according to UL508 / CNLC22.2 / VDE0110-1
- Integrated options possible on inquiry: encoder; air distributors
- Bore sizes: 25 mm or 25.4 mm (1 in)
- Maintenance opening for dust removal (after initial 50 m revs and each 100 m revs afterwards)
- Lubrication free
- Transmission channels:
power lines 2x 20 A + PE, 230 V, data lines 2x 2 A, 24 V

ADVANTAGES

- Long lifetime:
> 500 million revolutions
- Easy brush maintenance and replacement for minimal downtime and lifetime cost
- Reliable performance in harsh environments
- Compact, space saving design
- Fast installation – contacting via supplied cable lugs
- RoHs compliant
- Mercury free

APPLICATIONS

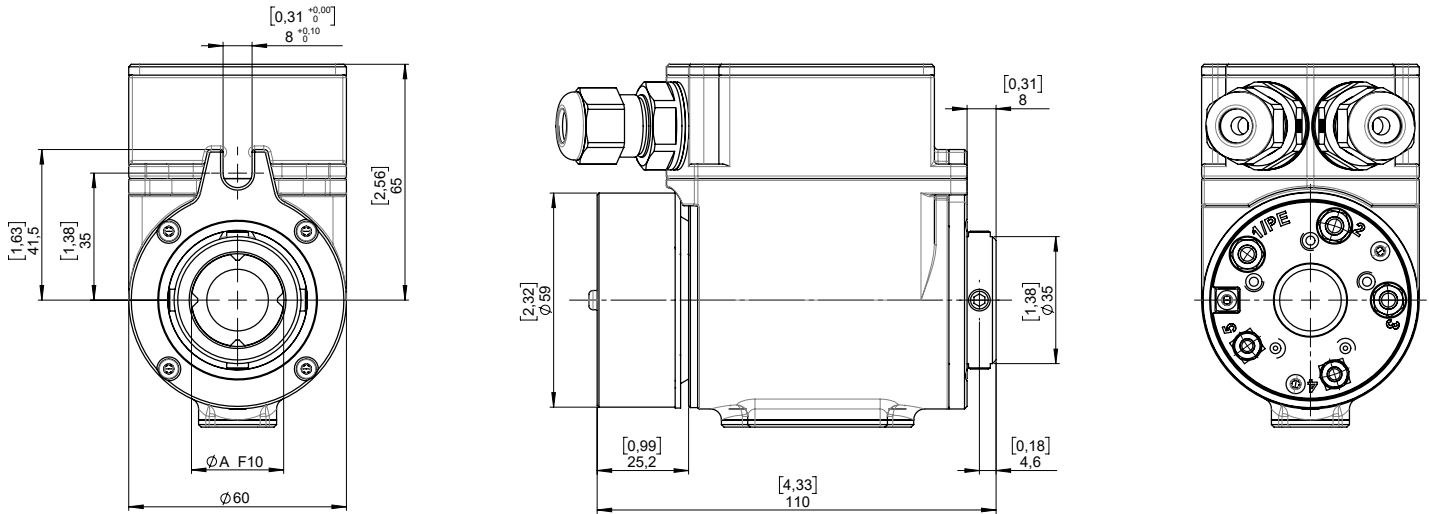
Packaging of food, industrial, pharmaceutical and more



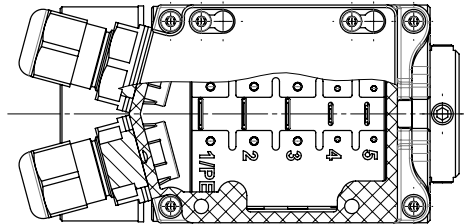
SPECIFICATIONS

F 7270 Slip Ring Series

Dimensions in millimeters [inches]



F 7270/10 a Replaceable brush holder block



Type	Bore ØA	Transmission	Order no.
F 7270 A	Ø 25 $\begin{matrix} +0,104 \\ +0,020 \end{matrix}$ [0,98" $\begin{matrix} +0,004 \\ +0,001 \end{matrix}$]	2x 20 A / 1x PE / 2x Signal	F 7270-D25-P2A20-PE-S2
F 7270 B	Ø 25,4 $\begin{matrix} +0,104 \\ +0,020 \end{matrix}$ [1" $\begin{matrix} +0,004 \\ +0,001 \end{matrix}$]	2x 20 A / 1x PE / 2x Signal	F 7270-D25.4-P2A20-PE-S2

Other variants possible.

For product information or the office nearest you, contact us online:
rekofa.info@moog.com

Moog and Rekofa are registered trademarks of Moog Inc. and its subsidiaries. All trademarks as indicated herein are the property of Moog Inc. and its subsidiaries.
 ©2025w Moog Inc. All rights reserved. All changes are reserved.

This technical data is based on current available information and is subject to change at any time. Specifications for specific systems or applications may vary.

Moog Flow Pack Slip Ring F 7270 Datasheet
 MR/Rev. B, February 2025, Id. CDL67025-en