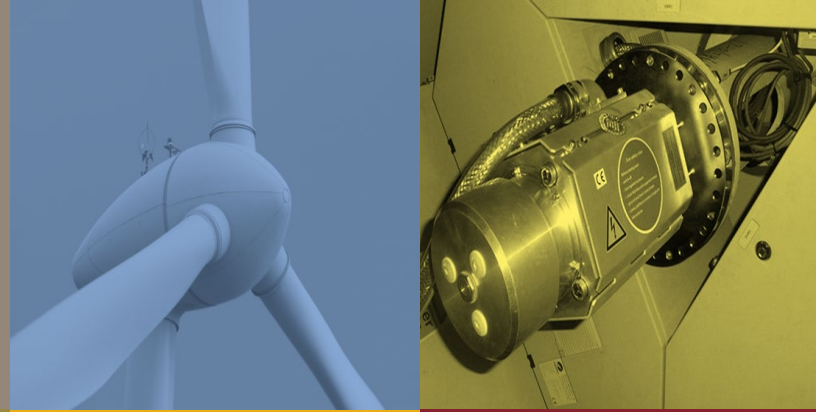


ENERCON

EP1 – E44 / E48 / E53

Wind Turbine Slip Ring (F 5784 FDA / SAP641417)



Wind turbines require reliable transmission of power and data signals from the nacelle to the rotary blades. **Moog slip rings** provide the performance and quality needed in demanding environments. Costly downtime is eliminated by using high performance transferring technologies and robust mechanical components in the slip ring design.

DIRECT SLIP RING REPLACEMENT

Moog offers a **qualified and proven direct replacement** slip ring for the Enercon EP1 - E44, E48, E53 wind turbines. Moog's unit is placed on the wind turbine's hub, in the center of the blades. The slip ring is equipped with wires and connectors on both wire ends at rotor and stator side.

Moog Rekofa slip ring F 5784 FDA is the proven replacement for products

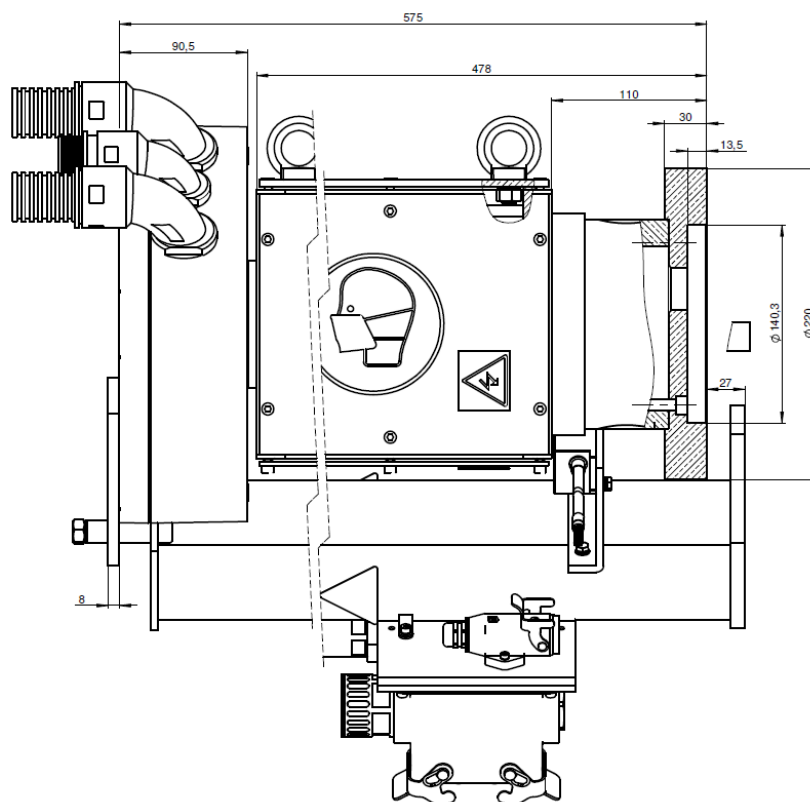
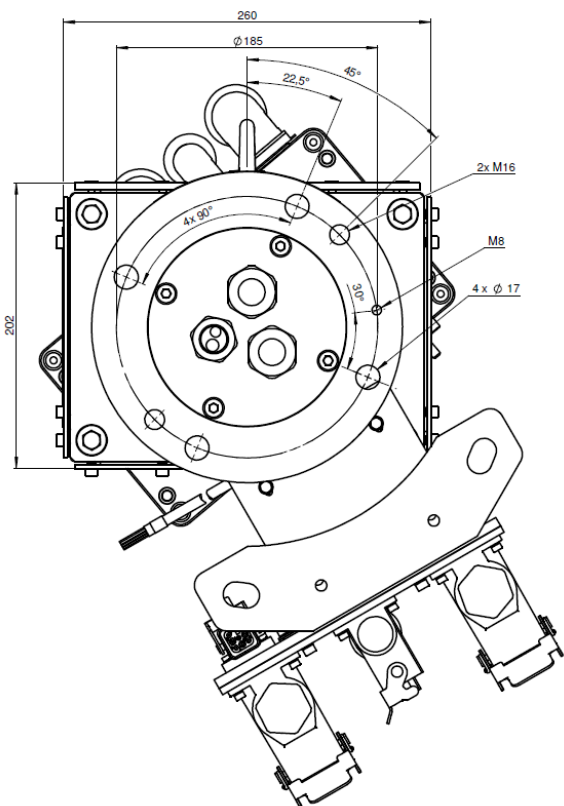
Label SAP99346 → **Moog Rekofa SAP641417**
 Cobham SAP112319 →

Brush material	Copper Graphite and Silver
Ring material	Brass. Silver plating for data transmission
Brush and Ring life	> 200 million revolutions
Lubrication	No lubrication required
Maintenance interval	5 years maintenance free
Operating temperature	-40 to +80°C
Sealing after assembly	IP65

ADVANTAGES / FEATURES

- No lubrication required
- Maintenance free for five years
- Highest reliability
- Lower life cycle cost
- IP65 sealed enclosure
- Wide operating temperature
- Easy handling for later maintenance
- Integrated robust magnetic encoder for speed measurement





Designation	Electrical values
1-4	85A/700VDC
5-8	45A/400VAC
9-12	10A/230VAC
13-15	16A/230VAC
16-18	0,5A/30VDC (CAN-Bus 800 kBit/s)

For further information or the office nearest to you,
 contact us online: rekofa.info@moog.com

Moog and Rekofa are registered trademarks of Moog Inc. and its subsidiaries. All trademarks as indicated herein are the property of Moog Inc. and its subsidiaries. ©2025 Moog Inc. All rights reserved. All changes are reserved.

This technical data is based on current available information and is subject to change at any time. Specifications for specific systems or applications may vary.

ENERCON EP1 Wind Turbine Slip Ring (F 5784 FDA) English
 Technical Data Sheet MR, rev.2, February 2025

