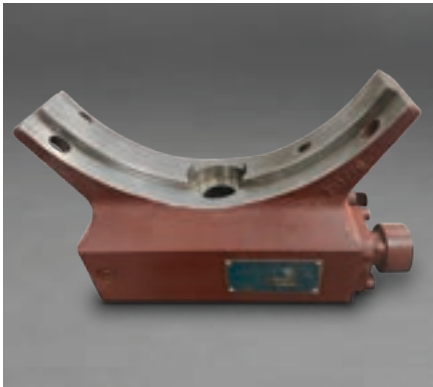


QUIET HYDRAULIC ROTARY ACTUATOR



Moog's quiet hydraulic rotary actuators are used across multiple platforms for the U.S. Navy. Requirements for performance are based on envelope, environmental, structural and noise goals of the U.S. Navy. This family of actuators is designed, produced and tested by Moog to meet and exceed the stringent goals set forth by the Navy.

Features include materials of construction for the surface and subsurface marine environment. Designs for MIL-STD shock and vibrational testing. Sealing for compatibility with fluids and chemicals that may be used. Designed for the 40-50 year life of the vessel with little or no maintenance.

Moog is a worldwide designer, manufacturer, and integrator of custom precision motion control and stabilization systems for the defense industry. Our electromechanical rotary and linear actuators are ideal for new systems, upgrades to older hydraulic systems, and for sustainment service.

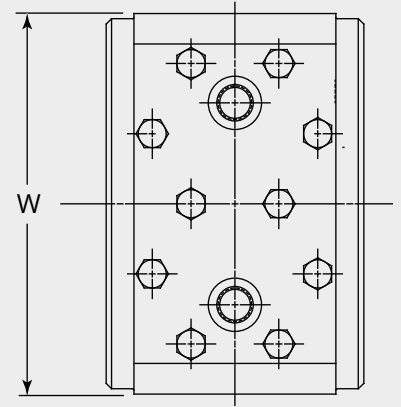
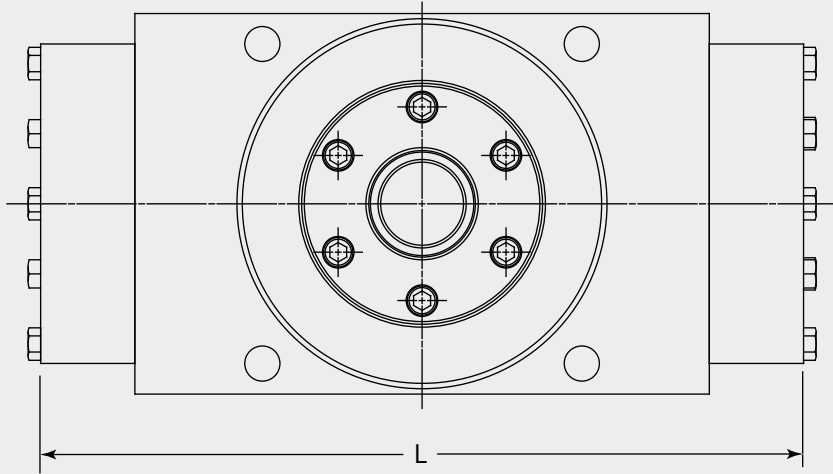
KEY FEATURES

- Rack and pinion design
- Torque output exceeding 50,000 FTLB
- Pressure envelopes exceeding 4500 PSI
- Rotations exceeding 180°
- Positional feedback
- Design, tested and qualified to MIL-STD-810
- Configurations for envelope and mounting (optional)



QUIET HYDRAULIC ROTARY ACTUATOR

ARCHITECTURAL AND DIMENSIONAL DRAWING



| Torque (LBIN) | Height | Length | Width |
|---------------|--------|--------|-------|
| 500 | 3" | 8" | 4" |
| 1000 | 5" | 9" | 5" |
| 5000 | 5" | 11" | 5" |
| 15000 | 9" | 12" | 9" |

MOOG

AMERICAS

navalsystems@moog.com
www.moog.com/defense



Moog Space and Defense

AUSTRALIA

Info.australia@moog.com
www.moog.com.au



Moog Inc.



@Moog_Inc

EUROPE

defenceurope@moog.com
www.moog.com/defence



@Moog.Inc

The appearance of U.S. Department of Defense (DoD) visual information does not imply or constitute DoD endorsement.

Equipment described herein falls under the jurisdiction of the ITAR and requires US Government Authorization for export purposes. Diversion contrary to US law is prohibited.

©2024 Moog, Inc. All rights reserved.

Product and company names listed are trademarks or trade names of their respective companies.