

SUBSEA INTEGRATED LINEAR ACTUATOR

QUIET, RELIABLE, AND EFFICIENT



Moog's Naval Systems Business Unit is the premier supplier of custom designed, high performance motion control solutions for mission critical undersea applications. Moog actuation systems provide industry leading reliability and efficiency and are closely tailored to the needs of each customer. This data sheet describes an existing linear actuation product. Moog will customize this or other designs to suit your application.

KEY FEATURES

- Customizable to meet your specific needs
- High reliability
- High efficiency
- Low noise



Credit: U.S. Navy illustration

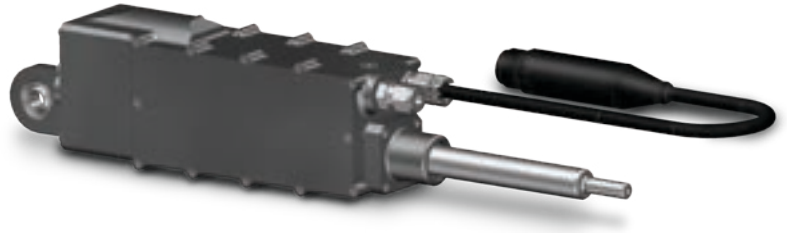


Credit: U.S. Navy/MC2 Jonathan W. Hutto, Sr.

SUBSEA INTEGRATED LINEAR ACTUATOR

PERFORMANCE

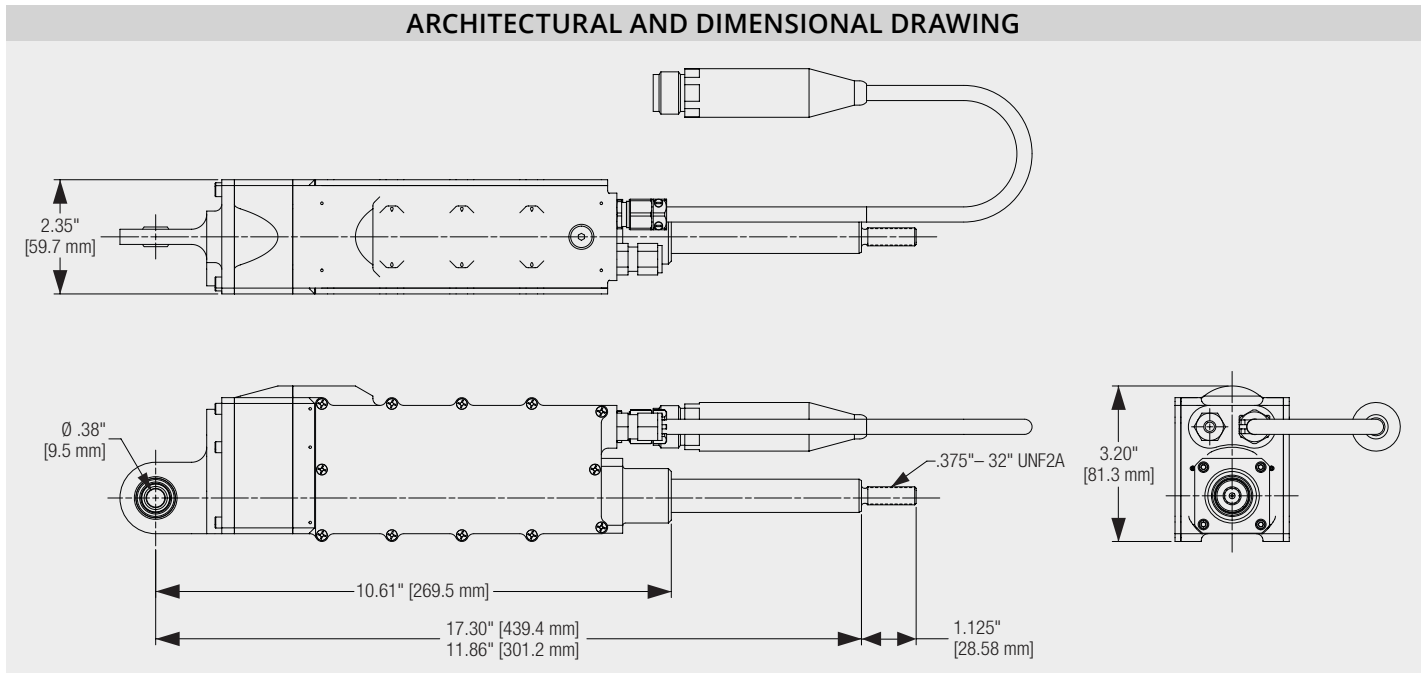
| Features | Specifications |
|--|-------------------------|
| Stroke | 5.4" (software limited) |
| Force | 40 lbs |
| Speed | 2.2"/s |
| Input voltage | 75VDC to 120VDC |
| Weight | 3.63 kg; 8 lbs |
| Efficiency 80% (including electronics) | |



DESIGN FEATURES

- BLDC motor with integrated electronics
- Multiple communication protocols supported
- Resolver used for motor commutation
- Magnetic encoder based position indication
- Optional holding brake
- Scalable design can apply to a variety of force/speed profiles
- Overvoltage protection built in
- External compensation port

ARCHITECTURAL AND DIMENSIONAL DRAWING



MOOG

AMERICAS

navalsystems@moog.com
www.moog.com/defense



Moog Space and Defense

AUSTRALIA

Info.australia@moog.com
www.moog.com.au



Moog Inc.



@Moog_Inc

EUROPE

defenceurope@moog.com
www.moog.com/defence



@Moog.Inc

Equipment described herein falls under the jurisdiction of the ITAR and requires US Government Authorization for export purposes. Diversion contrary to US law is prohibited.

©2024 Moog, Inc. All rights reserved. Product and company names listed are trademarks or trade names of their respective companies.