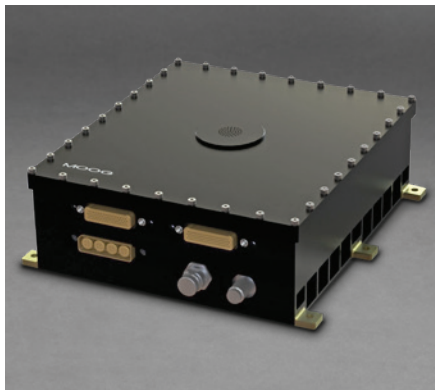


ETHERNET LAYER 3 SWITCH

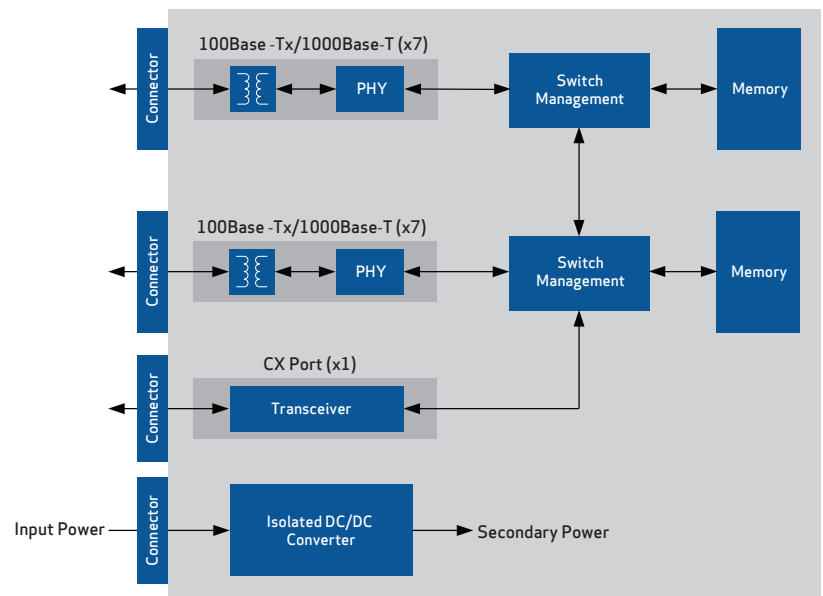


Moog's Layer 3 Ethernet Switch is the industry's first 14+1 port space-qualified switch rated for a manned-flight applications. The switch supports Layer 3 ports for IPV4 traffic (quantity 14) and quantity CX port (quantity 1). The switch also supports Layer 2 and Layer 3 IP routing.



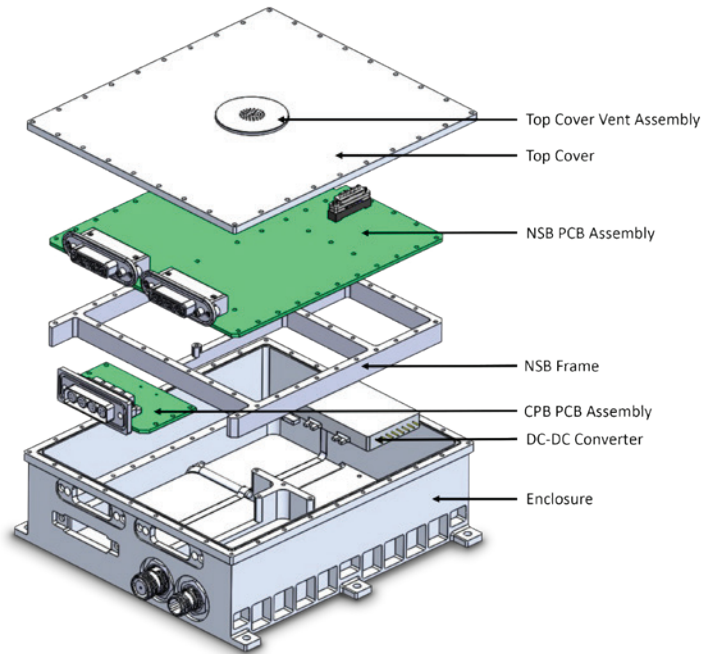
KEY FEATURES

- 14 port 1000/1000BASE-T
- 1 Port 1000BASE-CX
- Layer 2 & Layer 3 Routing
- VLAN Support
- SNMP Support
- IEEE-1588 Time Synchronization
- Also available in IEEE-INST-002 Level-2 and Level-3 Parts
- Power: 26 Watts
- Mass: 9 Lbs
- Operating temperature: -24 to +61C

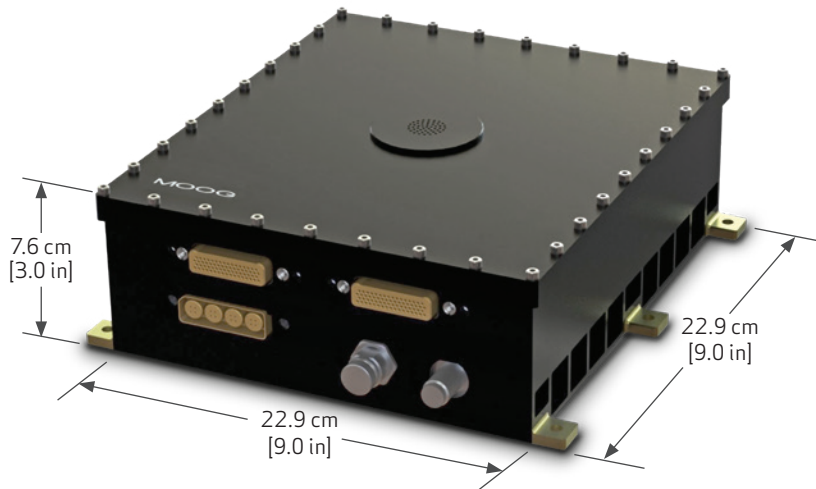


Layer 3 Network Switch

ETHERNET LAYER 3 SWITCH



Ethernet Layer 3 Switch Expanded View



Ethernet Layer 3 Switch Dimensions



For More Information:

Phil Tokeshi

2228 W Guadalupe Rd, Gilbert AZ 85233

ptokeshi@moog.com • www.moog.com



Moog Space and Defense



@MoogSDG



@MoogSDG



@MoogSDG



@MoogInc

Equipment described herein falls under the jurisdiction of the EAR and may require US Government Authorization for export purposes. Diversion contrary to US law is prohibited.

© 2021 Moog, Inc. All rights reserved.

Product and company names listed are trademarks or trade names of their respective companies.