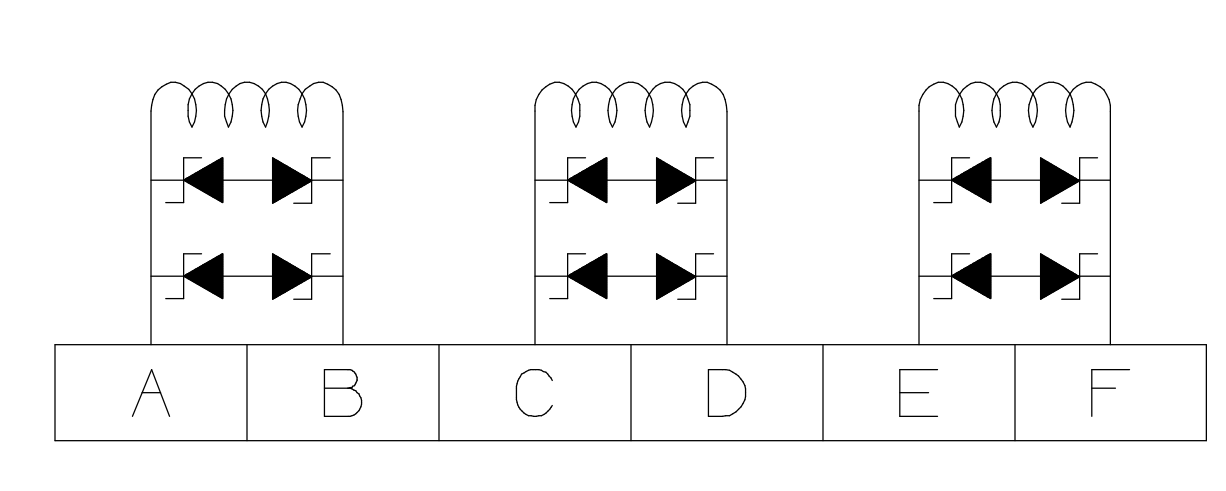


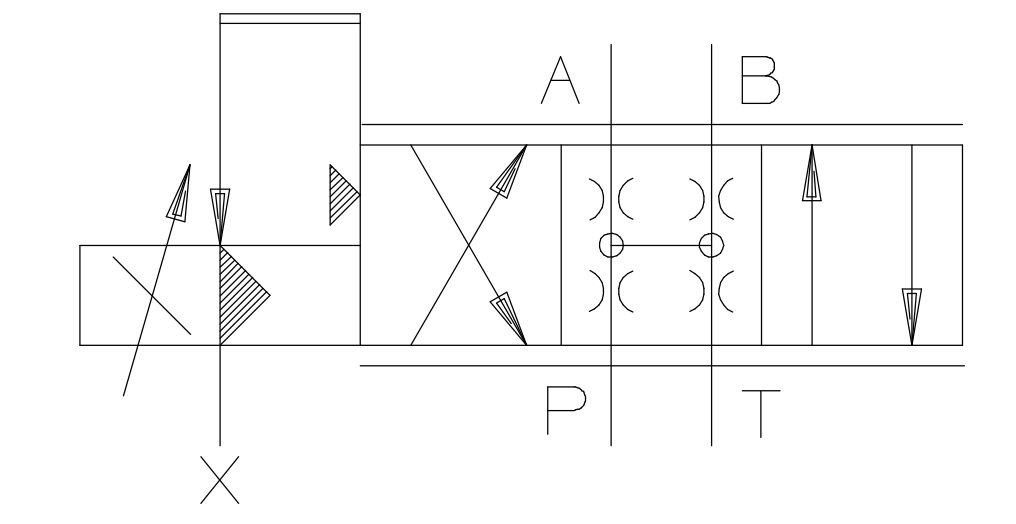
THIS TECHNICAL DATA/DRAWING/DOCUMENT CONTAINS PROPRIETARY AND CONFIDENTIAL INFORMATION. MOOG PROPRIETARY AND CONFIDENTIAL INFORMATION. SUBSIDIARIES EXCEPT AS EXPRESSLY GRANTED BY CONTRACT OR BY OPERATION OF LAW AND IS RESTRICTED TO USE BY MOOG EMPLOYEES AND OTHER PERSONS AUTHORIZED IN WRITING BY MOOG OR AS EXPRESSLY GRANTED BY CONTRACT OR BY OPERATION OF LAW. NO PORTION OF THIS DATA/DRAWING/DOCUMENT SHALL BE REPRODUCED OR DISCLOSED OR COPIED OR FURNISHED IN WHOLE OR IN PART TO OTHERS OR USED BY OTHERS FOR ANY PURPOSE WHATSOEVER EXCEPT AS SPECIFICALLY AUTHORIZED IN WRITING BY MOOG INC. OR MOOG INC. SUBSIDIARY.

REVISIONS				
ZONE	REV	DESCRIPTION	DATE	APPROVED
	G	SEE EO UE1033426	20100715	KJY/DRK
	H	SEE EO UE1035313	20101116	KJY/DRK

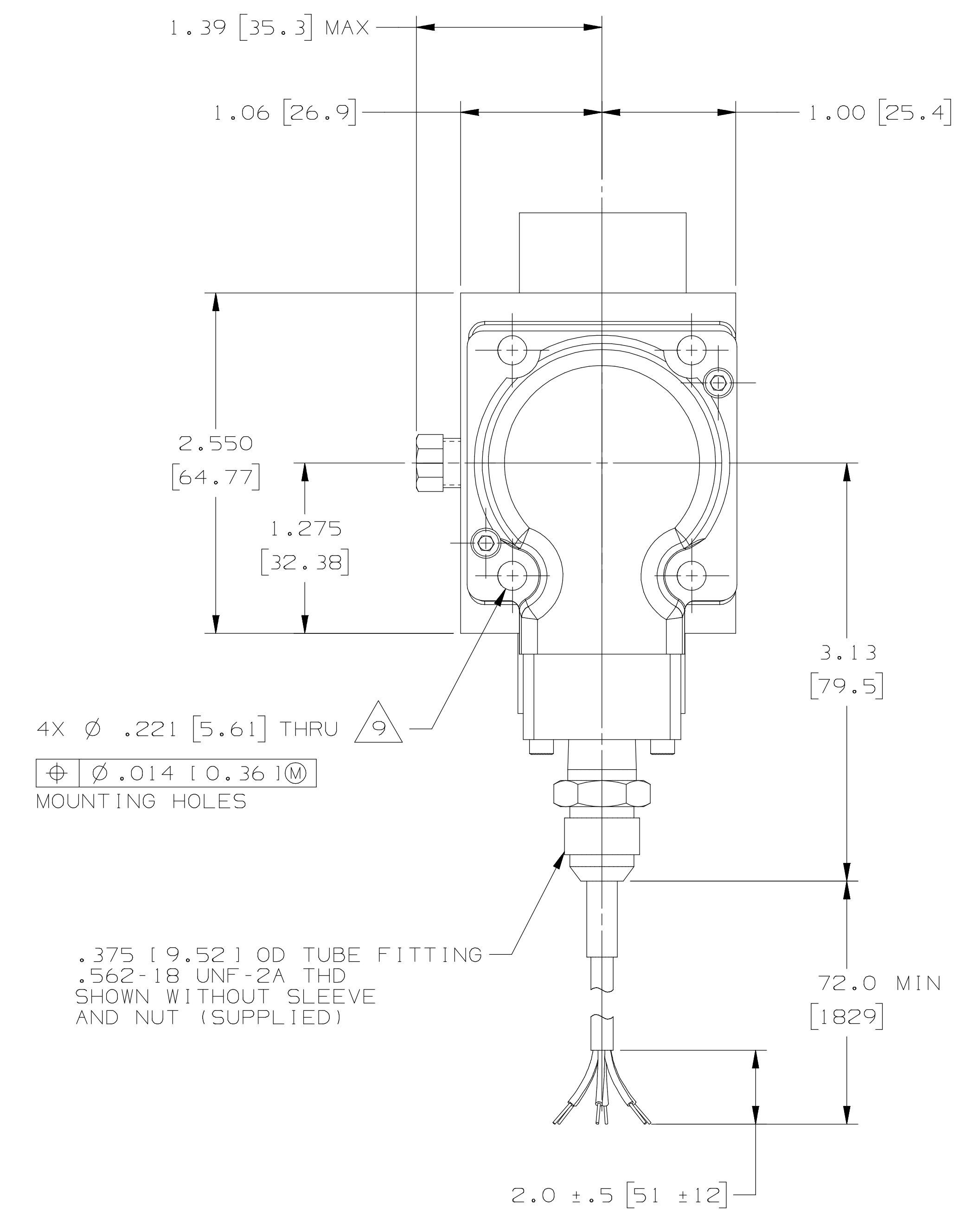
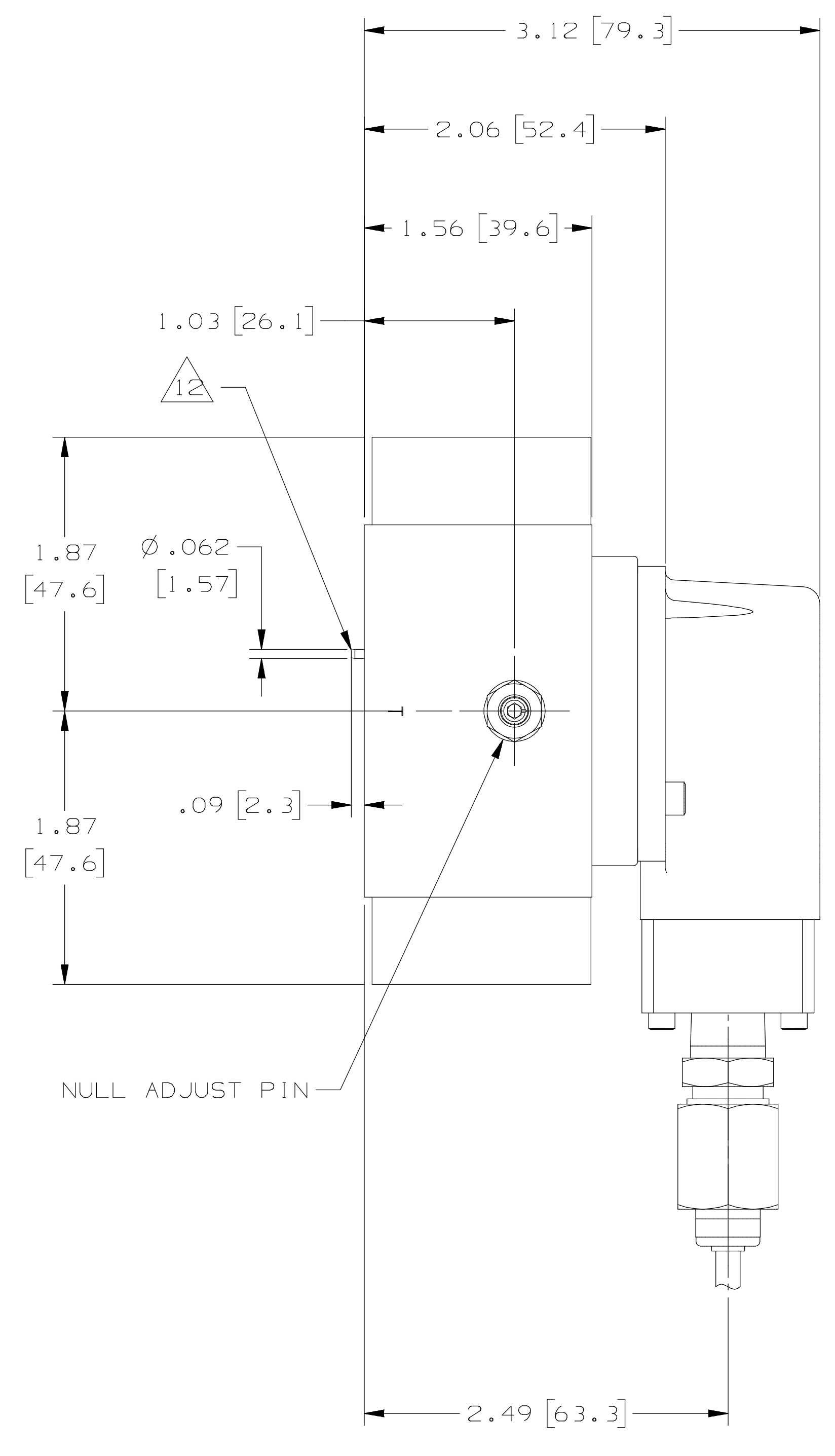
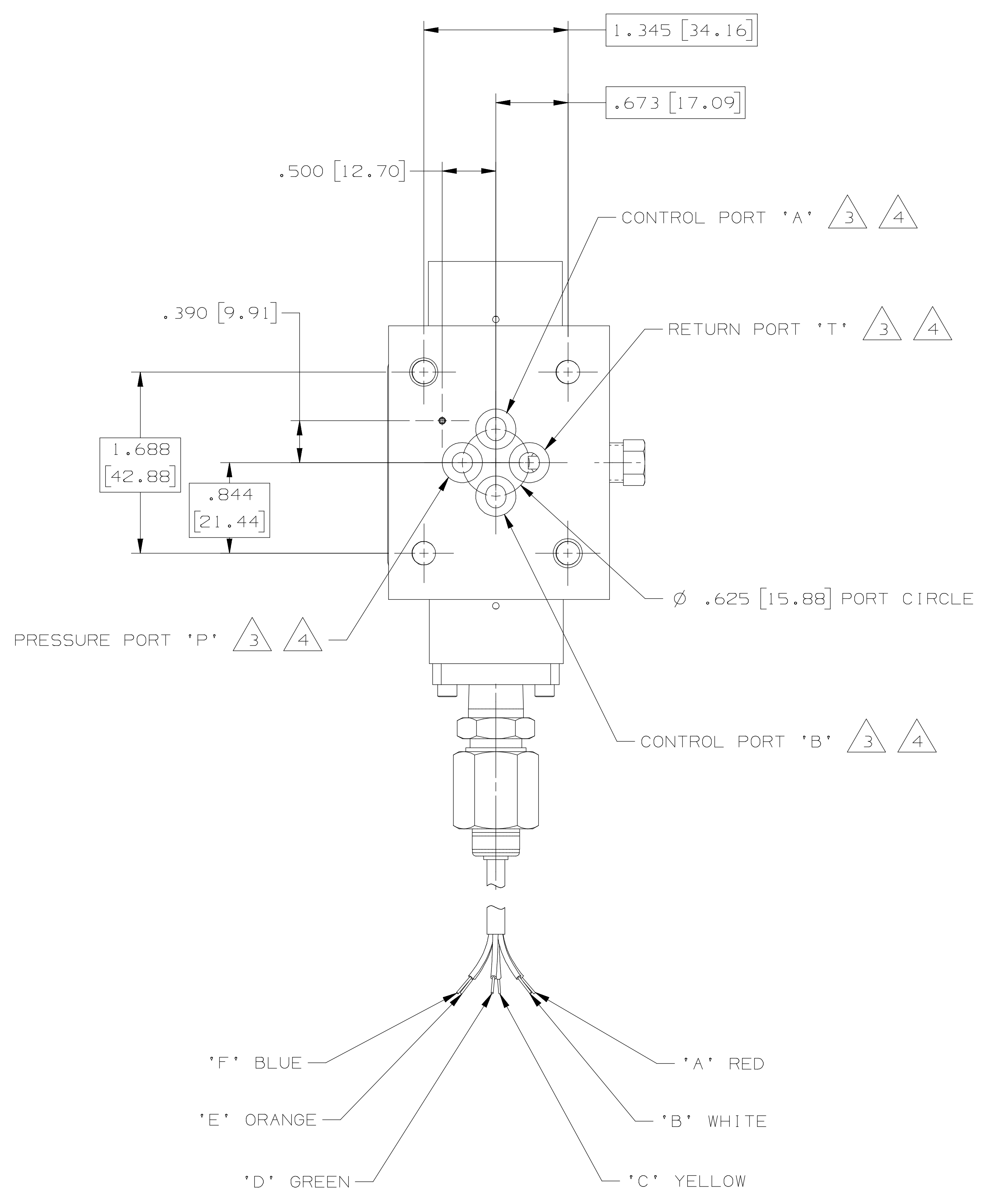
- NOTES:
- FLUID: INDUSTRIAL TYPE PETROLEUM BASE HYDRAULIC FLUID. 10 MICRON (25 ABSOLUTE) FILTRATION REQUIRED.
 - AMBIENT TEMPERATURE RANGE: -20°F TO +275°F (-30°C TO +135°C).
 - P, T, A & B PORTS: .191 [4.85] DIA CBORED NOMINALLY .375 [9.52] DIA X .055 [1.40] DEEP.
 - P, T, A & B PORT O-RINGS .070 [1.78] SECT. X .239 [6.07] ID HAVING COMPATIBLE O-RING COMPOUND (UNIVERSAL DASH NO. 010).
 - SURFACE TO WHICH VALVE IS MOUNTED REQUIRES $\sqrt{10.81}$ FINISH. FLAT WITHIN .001 [0.03] TIR.
 - VALVE PHASING: FLOW OUT PORT 'A' WILL RESULT WHEN: SINGLE COIL: A+ B-, OR C+ D-, OR E+ F-.
 - DIMENSIONS WITHOUT TOLERANCE ARE FOR REFERENCE ONLY.
 - DIMENSIONS IN BRACKETS [] ARE IN MILLIMETERS.
 - SUGGESTED MOUNTING SCREWS: .190-32 UNF X 2.50 [M5 X 60] LONG SOCKET HEAD CAP SCREWS - 4 REQUIRED. TORQUE TO 57 IN LB.
 - APPROVED BY FM AS INTRINSICALLY SAFE FOR CLASS I, II, AND III, DIVISION 1, GROUPS A THROUGH G, AND NONINCENDIVE FOR CLASS I, DIVISION 2, GROUPS A, B, C, AND D, WHEN WIRED IN ACCORDANCE WITH MOOG CONTROL DRAWING G4400. SEE VALVE NAMEPLATE FOR COIL PART NUMBER.
 - APPROVED BY KEMA QUALITY B.V. AS Ex ia IIC T4 FOR CATEGORY 1G AND Ex na II T3, T4 FOR CATEGORY 3G. REFER TO MOOG CONTROL DRAWING G4400 FOR SPECIFIC APPROVAL PARAMETERS. SEE VALVE NAMEPLATE FOR COIL PART NUMBER.
 - PIN OPTIONAL: CUSTOMER SPECIFIED.



SERVOVALVE ELECTRICAL SCHEMATIC
6



HYDRAULIC SCHEMATIC



INTERNATIONAL PART

QTY REQD		PART OR IDENTIFYING NO.		NOMENCLATURE OR DESCRIPTION		BALLOON NO.
		G771K SERIES		INSTALLATION, G771K SERIES		
PARTS LIST						
LAST SECTION/DATUM		UNLESS OTHERWISE SPECIFIED		INTERPRET DRAWING PER MIL-STD-131		MOOG INC.
THIRD ANGLE PROJECTION		ANGULAR ± .XXX ± .XXX ±		DIMENSIONING AND TOLERANCING PER ASME Y14.5M-1994		
NEXT ASSEMBLY		FILLETS		MATERIAL		CONTRACT NO.
USED ON		EDGES		PREPARED L. REBOY 3/24/83		MOOG INC., EAST AURORA, NY 14052
		RAD OR CHAM		CHECKED M. WANTUCK 4/5/83		TITLE
		SURFACE ROUGHNESS PER ANSI Y14.20 & B46.1		ENGR CEA 4/15/83		INSTALLATION, G771K SERIES
		CONCENTRIC DIAMETERS: ± .001		PRD ENGR		SIZE
		DRILL POINTS: 115° TAP		APL ENGR		CAGE CODE
		ALL DIMENSIONS ARE IN INCHES PART TO BE FREE OF BURRS		MFG		DWG NO.
				QUAL GRB 4/26/83		E94697 A55206
				SCALE 3/2		WT
						SHEET

A55206