

UUV PROPULSION MOTOR

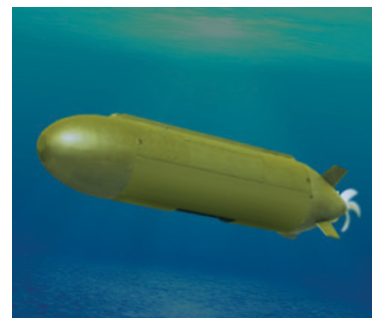
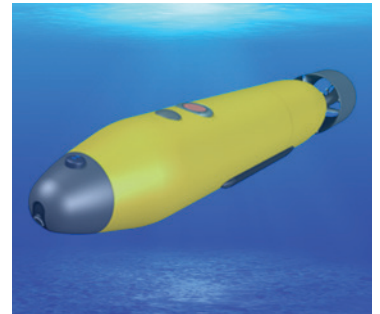
QUIET, RELIABLE, AND EFFICIENT



Moog's UUV Propulsion Motor utilizes state of the art motor design to provide high torque outputs in a small package with the high efficiencies necessary for UUV applications. It is designed to meet MIL-STD-810. It is currently in use in the subsea market and is easily scaled to fit other UUV applications.

KEY FEATURES

- Brushless DC subsea propulsion motor (accompanying controller also available).
- Free-air convection/conduction cooling to 60 °C with 50 A continuous operating current.
- Pressure compensated housing that is operational from sea level to 5000 PSIG.
- Anodized aluminum housing with multiple mounting options available.

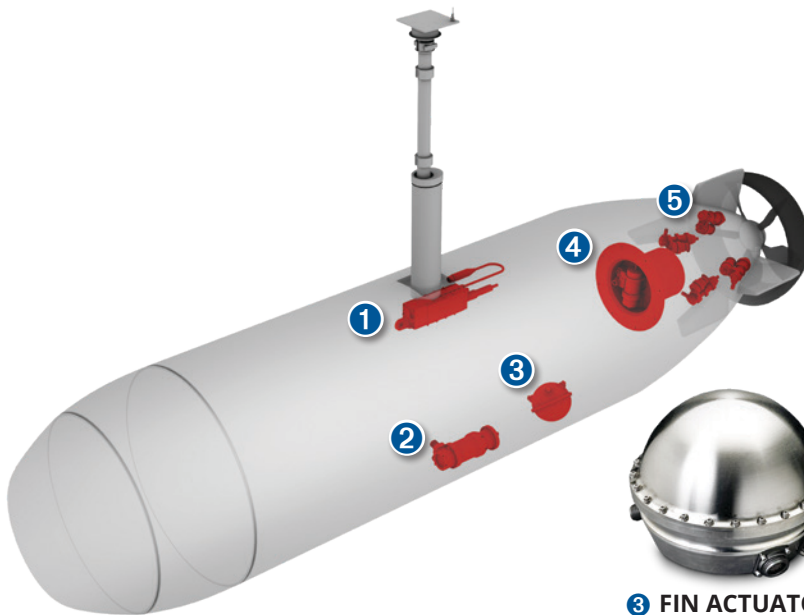
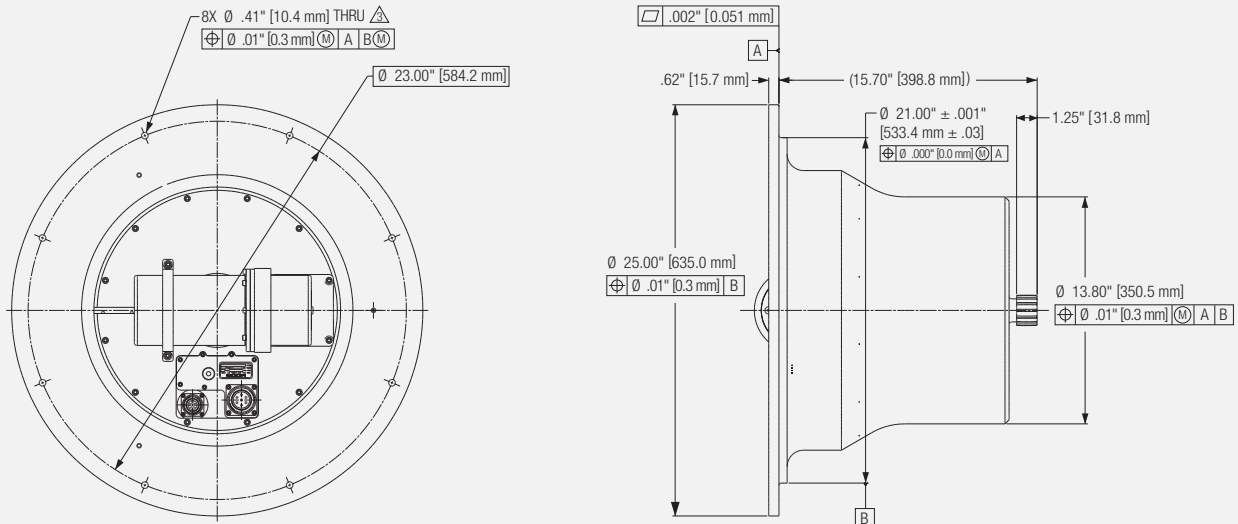


UUV PROPULSION MOTOR

The motor can output 270 FTLB of torque at 180 rpm at an operating voltage of 270VDC.

Operating Temperature: -2 °C to 35 °C **Operating Pressure:** Sea level to 5000 PSIG **Mass:** 294 lbs

ARCHITECTURAL AND DIMENSIONAL DRAWING



1 LINEAR INTEGRATED ACTUATOR



2 SMALL SUBSEA MOTOR



3 FIN ACTUATOR CONTROL ELECTRONICS



4 MAIN PROPULSION MOTORS



5 FIN CONTROL ACTUATORS

MOOG

AMERICAS

navalsystems@moog.com
www.moog.com/defense



Moog Space and Defense

AUSTRALIA

Info.australia@moog.com
www.moog.com.au



Moog Inc.



@Moog_Inc

EUROPE

defenceurope@moog.com
www.moog.com/defence



@Moog.Inc

The appearance of U.S. Department of Defense (DoD) visual information does not imply or constitute DoD endorsement.

Equipment described herein falls under the jurisdiction of the ITAR and requires US Government Authorization for export purposes. Diversion contrary to US law is prohibited.

©2024 Moog, Inc. All rights reserved.

Product and company names listed are trademarks or trade names of their respective companies.